

# SANI-LAV<sup>®</sup> COLUMBIA PRODUCTS

## Mid-Sized Industrial Nozzle with Brass Body Model N1



Model N1



Model N1Y



Model N1R



Model N1W

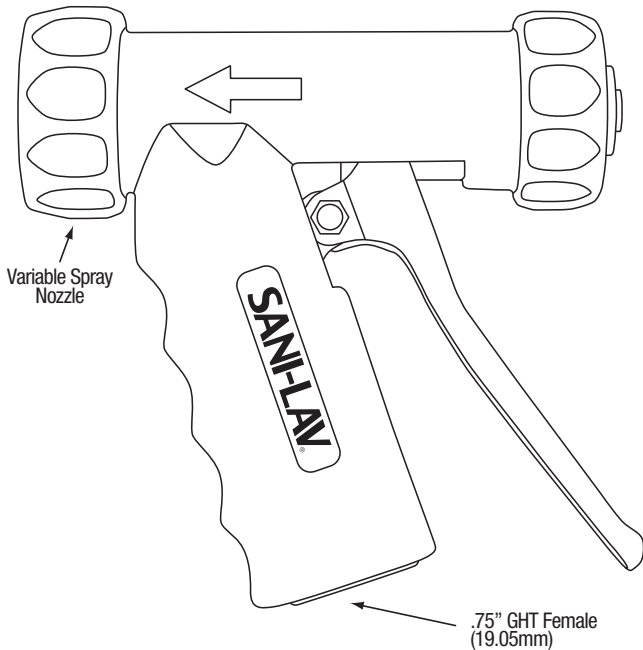


Model N1B

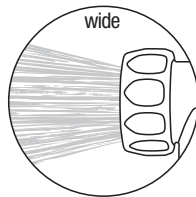
### N1 Universal Features

- 3/4" GHT inlet allows direct hose connection
- Maximum working pressure 150 psi
- Maximum operating temperature: 200°F/93°C
- Weight 1.7 lbs.
- Safety shut off trigger when released
- Replaceable insulated safety orange, yellow, red, white or black covers

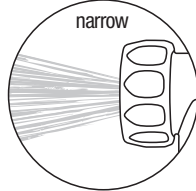
Model	Color	Body	Handle Type	Inlet	Tip	Max psi	Max Temp	Weight	GPM @ 100 psi	Swivel Adapter
<b>Brass</b>										
<b>N1</b>	Safety Orange	Brass	Stainless	3/4" FGHT	n/a	150	200	1.6	7	sold separately
<b>N1Y</b>	Yellow	Brass	Stainless	3/4" FGHT	n/a	150	200	1.6	7	sold separately
<b>N1R</b>	Red	Brass	Stainless	3/4" FGHT	n/a	150	200	1.6	7	sold separately
<b>N1W</b>	White	Brass	Stainless	3/4" FGHT	n/a	150	200	1.6	7	sold separately
<b>N1B</b>	Black	Brass	Stainless	3/4" FGHT	n/a	150	200	1.6	7	sold separately



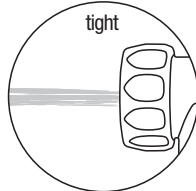
Variable Spray Nozzle



wide



narrow



tight

Trigger lever controls variable spray pattern



Model N17 Swivel Hose Adapter  
(3/4" FGHT x 3/4" MGHT)  
Sold Separately

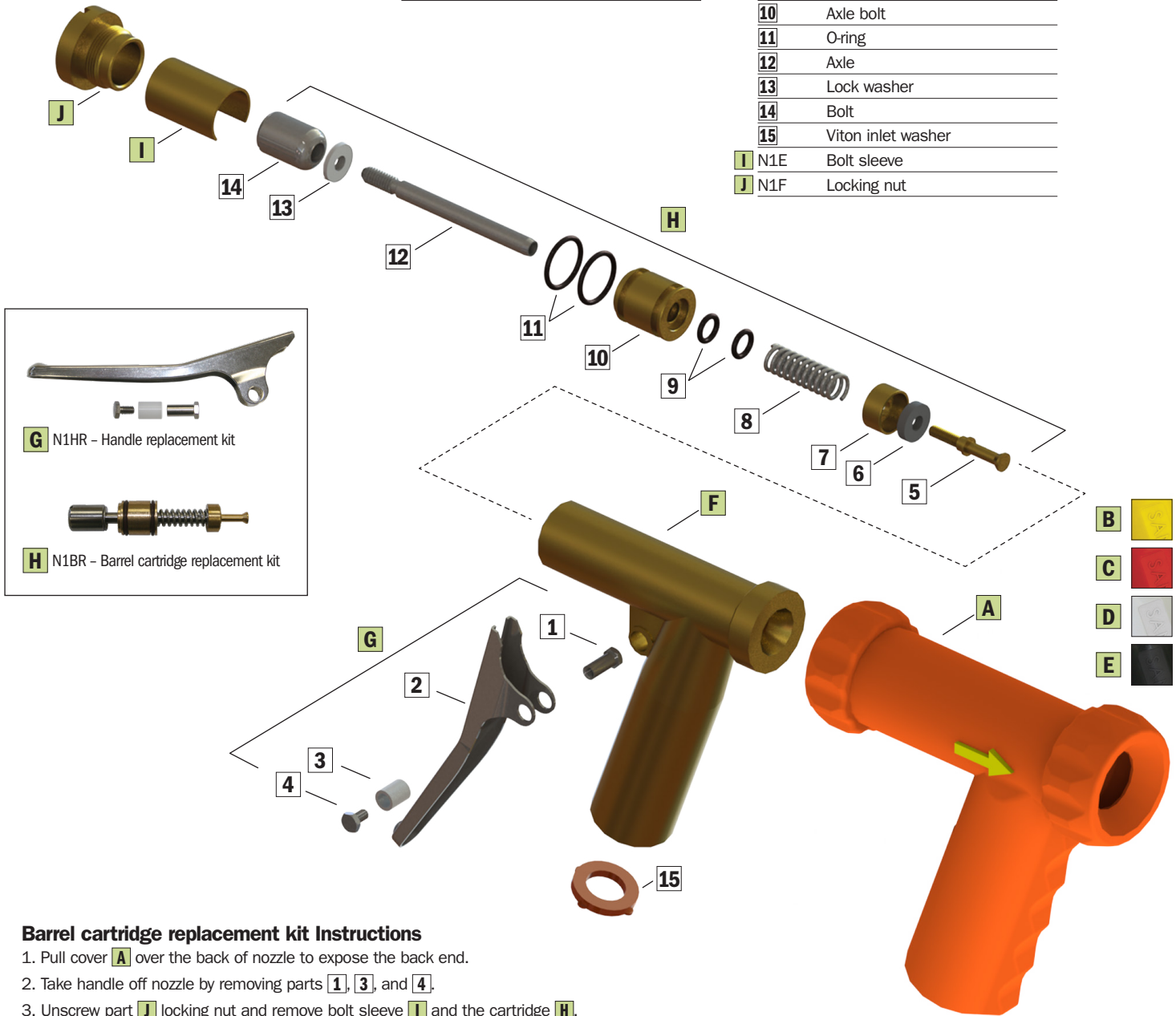
**Notice for California Consumers**  
**WARNING:** This product can expose you to chemicals including Lead, and Phthalates (DEHP) which are known to the State of California to cause cancer and birth defects or other reproductive harm. For more information go to [www.P65Warnings.ca.gov](http://www.P65Warnings.ca.gov).

### N1 Replacement Parts

Part No.	Description
<b>A</b> N1OC	Orange insulated cover
<b>B</b> N1YC	Yellow insulated cover
<b>C</b> N1RC	Red insulated cover
<b>D</b> N1WC	White insulated cover
<b>E</b> N1BC	Black insulated cover

<b>F</b> N1MB	Main body
<b>G</b> N1HR	<b>Handle replacement kit</b>
<b>1</b>	Stainless steel nut
<b>2</b>	Stainless steel handle
<b>3</b>	Stainless steel handle arm sleeve
<b>4</b>	Stainless steel handle bolt

<b>H</b> N1BR	<b>Barrel cartridge replacement kit</b>
<b>5</b>	Spray tip
<b>6</b>	Seat
<b>7</b>	Axle sleeve
<b>8</b>	Stainless steel spring
<b>9</b>	O-ring
<b>10</b>	Axle bolt
<b>11</b>	O-ring
<b>12</b>	Axle
<b>13</b>	Lock washer
<b>14</b>	Bolt
<b>15</b>	Viton inlet washer
<b>I</b> N1E	Bolt sleeve
<b>J</b> N1F	Locking nut



#### Barrel cartridge replacement kit Instructions

1. Pull cover **A** over the back of nozzle to expose the back end.
2. Take handle off nozzle by removing parts **1**, **3**, and **4**.
3. Unscrew part **J** locking nut and remove bolt sleeve **I** and the cartridge **H**.
4. Insert the new cartridge.
5. Re-Install the handle.
6. Replace the sleeve with the open end facing down.
5. Screw the locking nut back into place.
6. Slip the cover back over the nozzle end using a round ended tool similar to a shoe horn.